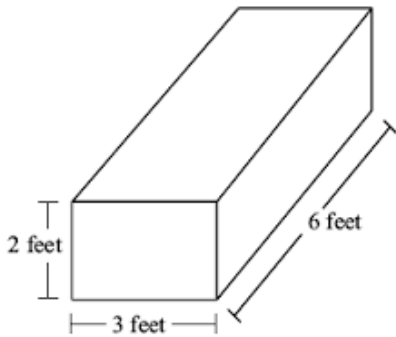


1) What is the formula for finding the volume of any prism?

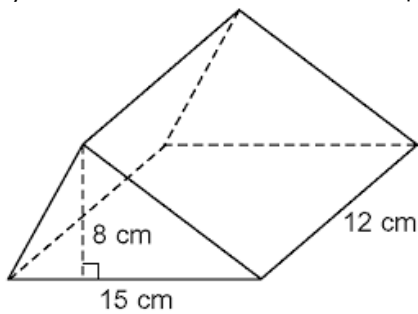
2) What is the formula for finding the volume of a pyramid?

3) What does volume mean?

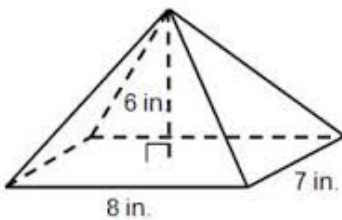
4) Find the volume of this shape:



5) Find the volume of this shape:



6) Find the volume of this shape:



7) Sarah wants to paint a shoe box to hold all of her nail polish. Should she find the volume or surface area of the box to figure out how much paint is needed? Explain why you think so.

8) Sarah wants to paint a shoe box to hold all her nail polish. Should she find the volume or surface area of the box to figure out how much nail polish the box will hold? Explain why you think so.

9) When finding the volume of prisms and pyramids, you first have to find B. Why is B capital?

10) When finding the area of a triangle, you have to divide by 2 ($b \times h \div 2$). Why do you need to divide by 2 when finding the area of a triangle?